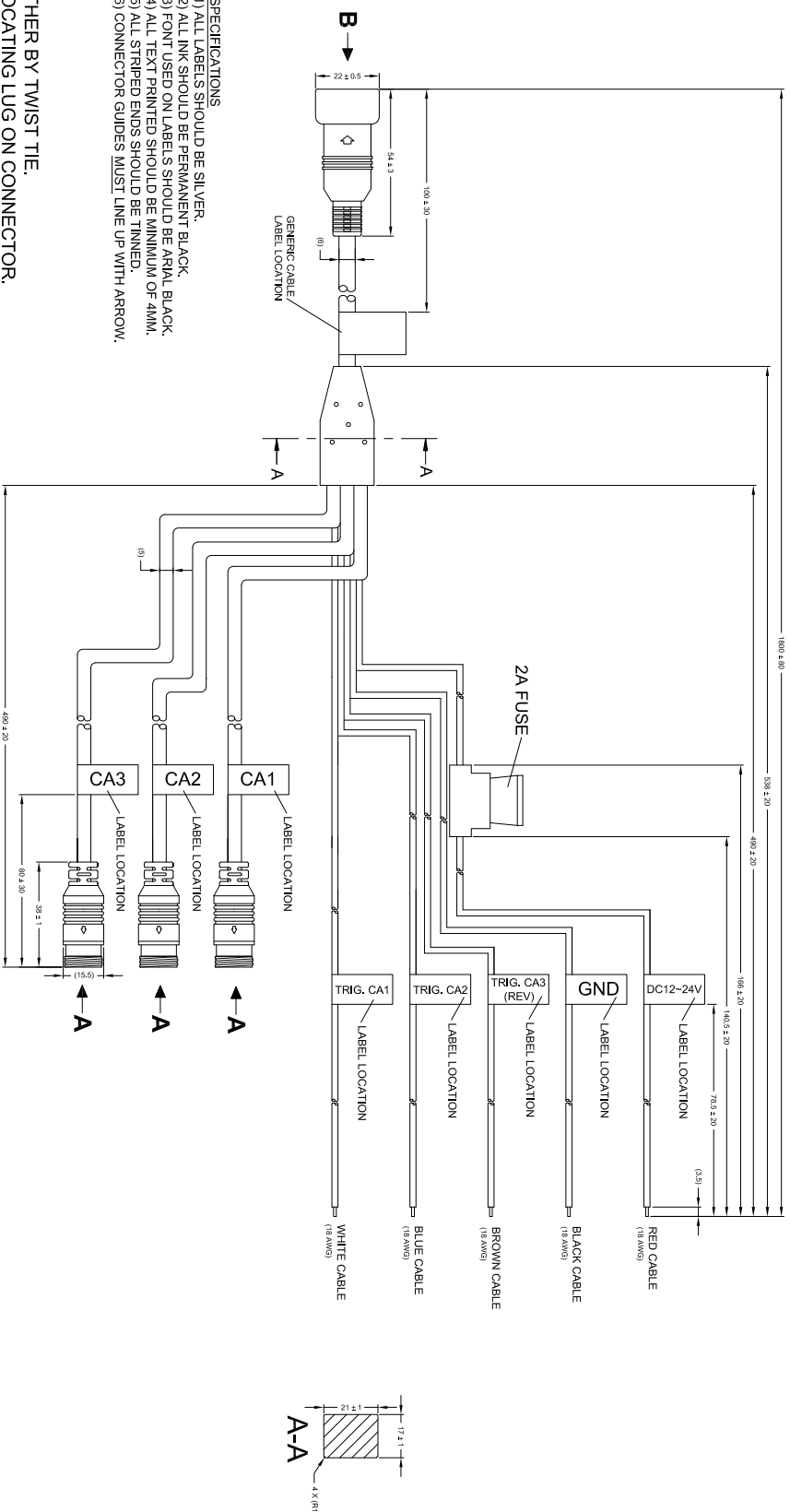


PIN #	WIRE COLOUR	DESCRIPTION
1	RED	+12V
2	BROWN	TRIGGER 3
3	BLUE	TRIGGER 2
4	PALE BLUE	TRIGGER 1
5	PALE RED	CA1 +12V/OUT
6	GRAY	CA2 AUDIO
7	YELLOW	CA3 VIDEO
8	GREEN	CA2 +12V/OUT
9	PALE GREEN	CA3 AUDIO
10	WHITE	CA2 VIDEO
11	BLACK	CA3 +12V/OUT
12	PALE BLUE	CA3 AUDIO
13	ORANGE	CA3 VIDEO
14	BLACK	GROUND



PIN #	WIRE COLOUR	DESCRIPTION
1	RED	+12V
2	BLACK	GND
3	WHITE	AUDIO
4	YELLOW	VIDEO



SPECIFICATIONS

- 1) ALL LABELS SHOULD BE SILVER.
- 2) ALL INK SHOULD BE PERMANENT BLACK.
- 3) FONT USED ON LABELS SHOULD BE ARIAL BLACK.
- 4) ALL TEXT PRINTED SHOULD BE MINIMUM OF 4MM.
- 5) ALL STRIPED ENDS SHOULD BE TINNED.
- 6) CONNECTOR GUIDES MUST LINE UP WITH ARROW.

NOTES:

1. DIMENSIONS IN MM.
2. CABLE TO BE HELD NEATLY TOGETHER BY TWIST TIE.
3. ENSURE ARROWS LINE UP WITH LOCATING LUG ON CONNECTOR.
4. MAXIMUM POSSIBLE RESISTANCE PERMITTED FOR CABLE IS 1.2Ω.
5. COLOUR OF ALL CONNECTORS: BLACK
6. FOR MANUFACTURING CONTROLS PLEASE REFER TO ASSEMBLY PLANT DRAWING #SV165 REVISION 1.5.
7. FOR CABLE LABEL REFER LATEST REVISION OF GENERIC CABLE LABEL DRAWING BE-001500-XX-11.

PROPRIETARY NOTICE

THIS DESIGN AND TECHNICAL INFORMATION APPEARING ON THIS DRAWING IS THE PROPERTY OF BRIGADE ELECTRONICS, AND IS DISCLOSED IN CONFIDENCE. IT IS NOT TO BE COPIED, REPRODUCED, REVISED TO OR EXPROPRIATED BY OTHERS, EITHER IN WHOLE OR IN PART WITHOUT THE EXPRESS WRITTEN CONSENT OF BRIGADE ELECTRONICS.

Revision Notes:			
1. LABEL DETAIL CORRECTED	Checked By: MB	Approved By: DK	Date Released: 15/09/10
2. CAMERA CONNECTION LENGTH & DIMENSION REVISED.	Checked By: JN	Approved By: AL	Date Released: 16/03/11
3. CABLE LENGTH DIMENSION REVISED.	Checked By: MB	Approved By: DK	Date Released: 31/03/11
4. CONNECTOR DIMENSION REVISED AND FRAME UPDATED.	Checked By: JN	Approved By: DK	Date Released: 22/12/11



<p>Angle of Projection Third Angle</p>	<p>Assembly Pl Approval XINYU HUANG(29/10/12)</p>	<p>Approved by DKERALI</p>	<p>Checked by ALAM</p>	<p>Drawn by MBUTLER</p>
<p>Status RELEASED</p>	<p>Scale N/A</p>	<p>Released 09/06/10</p>	<p>Assembly Ref #165</p>	<p>Released 09/06/10</p>
<p>Stock Code 3176A</p>	<p>Released 09/06/10</p>	<p>Assembly Ref #165</p>	<p>Released 09/06/10</p>	<p>Assembly Ref #165</p>
<p>Released 09/06/10</p>	<p>Assembly Ref #165</p>	<p>Released 09/06/10</p>	<p>Assembly Ref #165</p>	<p>Released 09/06/10</p>

VBV-7X0DM-CA
BE-001080-04-10